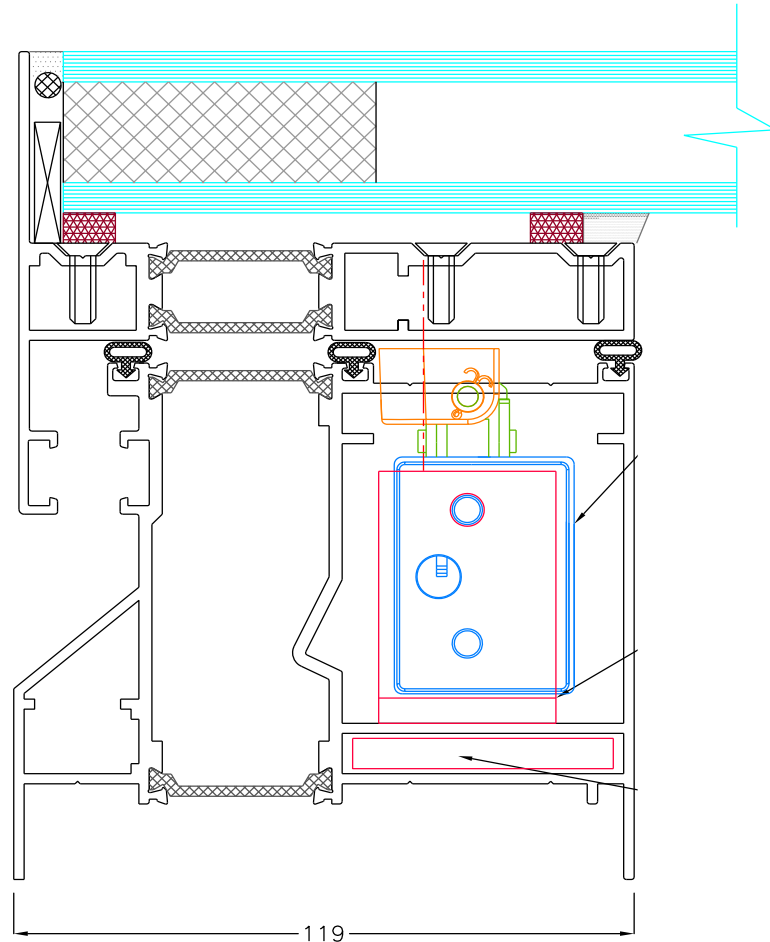
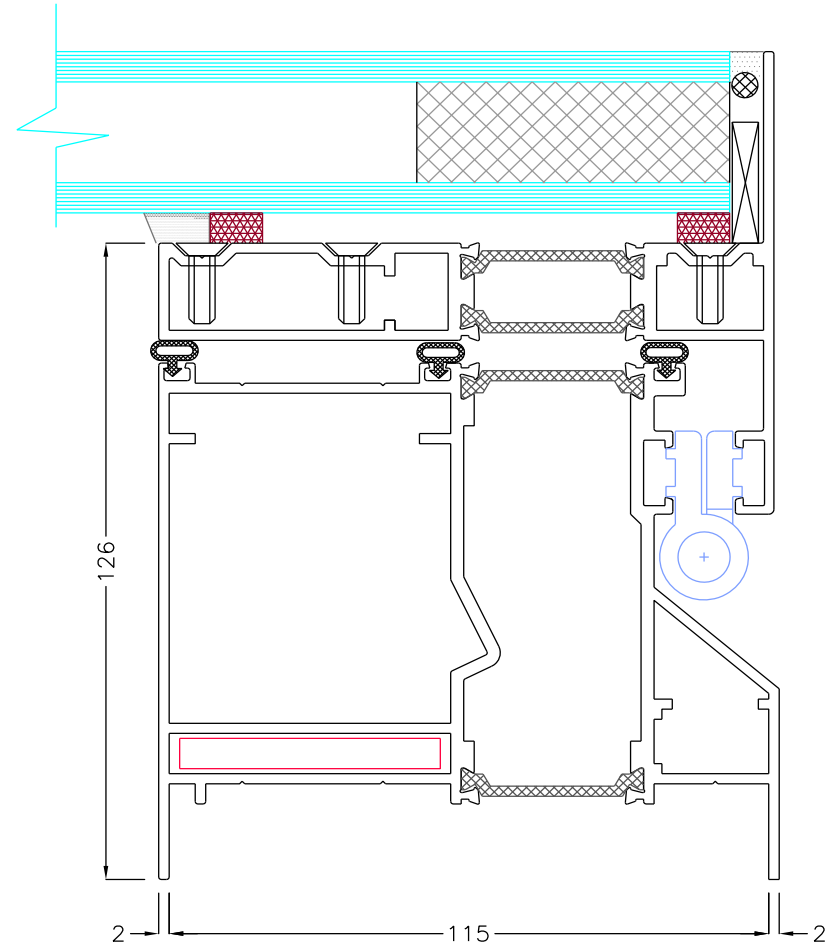


A Section thru Actuator side.  
(Closed position)



B Section thru Hinge side.  
(Closed position)



**Finished** upstand minimum width- 95mm  
**Finished** upstand maximum width- 110mm

**First Glass Roofs Ltd**

Unit G5 Blacknest Industrial Estate  
Blacknest Road  
Blacknest  
Nr Alton  
Hampshire, GU34 4PX

Tel: 01420 520580  
Fax: 01420 525388

1	Feb 17	All profiles updated.
REV	DATE	DETAILS.

SCALE	DATE
1:1 @ A3	Nov 2016
CHECKED	MATERIAL
DRAWN	FINISH

DRAWING TITLE.
Opening Rooflight Profile arrangement.

PART No	
REV	DRAWING No
1	RL 021